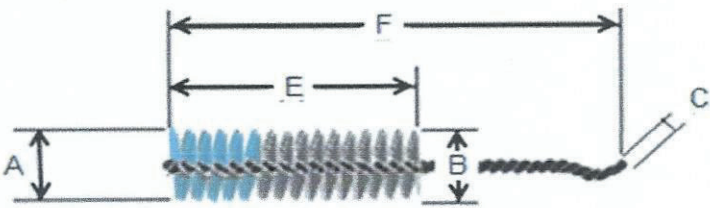
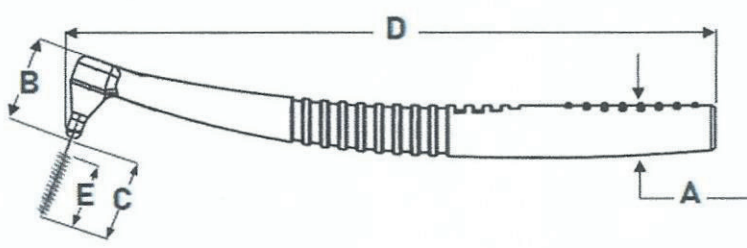


PRODUCT STANDARD

BRUSH								
Drawing 					Material Stainless wire green coated Nylon 6.12 Natural Nylon 6.12 Blue			
					Unit of measurement Milimeter (mm)			
SPECIFICATION								
Type/Size	Diameter				Length		Material	
	Brush top	Brush end	Diameter twist wire tail	Passing hole Diameter (PHD)	Brush	Overall brush	Diameter wire	Diameter Filament
	A	B	C	D	E	F		
size 0	2.00± 0.3	2.00± 0.3	0.32	max. 0.7	8.00± 0.5	16.75 ± 0.5	0.20	2 mil
size 1	2.00± 0.3	2.00± 0.3	0.43	max. 0.7	10.00± 0.5	18.75 ± 0.5	0.25	2 mil
size 2	2.00± 0.3	2.00± 0.3	0.43	max. 0.8	10.00± 0.5	18.75 ± 0.5	0.25	2 mil
size 3	2.00± 0.3	2.80± 0.3	0.53	0.8 ~ 1.0	10.00± 0.5	18.75 ± 0.5	0.30	2 mil
size 4	2.60 ± 0.3	2.80± 0.3	0.53	1.0 ~ 1.2	10.00± 0.5	18.75 ± 0.5	0.30	3 mil
size 5	2.60 ± 0.3	3.80± 0.3	0.53	1.2 ~ 1.4	10.00± 0.5	18.75 ± 0.5	0.30	3 mil
size 6	3.20 ± 0.3	4.50± 0.3	0.71	1.5 ~ 1.7	13.00± 0.5	21.75 ± 0.5	0.40	3.5 mil
size 7	4.50 ± 0.3	6.50± 0.3	0.71	1.7 ~ 1.9	13.00± 0.5	21.75 ± 0.5	0.40	3.5 mil
size 8	7.00 ± 0.3	7.00± 0.3	0.71	1.9 ~ 2.1	13.00± 0.5	21.75 ± 0.5	0.40	3.5 mil

PRODUCT STANDARD

HANDLE + BRUSH					
Material of handle PP Resin					
Drawing					
					
DIMMENSION					
Type/Size	Diameter Handle lower	Length Handle upper	Overall length Brush	Overall length Handle	Length Brush
	A	B	C	D	E
size 0 (Purple)	5.50 ± 0.5	9.00 ± 1.0	10.00 ± 0.5	70.50 ± 1.0	8.00 ± 0.5
size 1 (Light Blue)	5.50 ± 0.5	9.00 ± 1.0	12.00 ± 0.5	70.50 ± 1.0	10.00 ± 0.5
size 2 (Green)	5.50 ± 0.5	9.00 ± 1.0	12.00 ± 0.5	70.50 ± 1.0	10.00 ± 0.5
size 3 (Yellow)	5.50 ± 0.5	9.00 ± 1.0	12.00 ± 0.5	70.50 ± 1.0	10.00 ± 0.5
size 4 (Orange)	5.50 ± 0.5	9.00 ± 1.0	12.00 ± 0.5	70.50 ± 1.0	10.00 ± 0.5
size 5 (Red)	5.50 ± 0.5	9.00 ± 1.0	12.00 ± 0.5	70.50 ± 1.0	10.00 ± 0.5
size 6 (White)	5.50 ± 0.5	9.00 ± 1.0	14.50 ± 0.5	70.50 ± 1.0	13.00 ± 0.5
size 7 (Grey)	5.50 ± 0.5	9.00 ± 1.0	14.50 ± 0.5	70.50 ± 1.0	13.00 ± 0.5
size 8 (Black)	5.50 ± 0.5	9.00 ± 1.0	14.50 ± 0.5	70.50 ± 1.0	13.00 ± 0.5
PERFORMANCE OF PRODUCT					
Type/Size	Tensile strength Brush	Fatigue Brush	Spin torque Brush		
size 0 (Purple)	Min. 2.5 kgf	Min. 10 times	Min. 0.3 gf.cm		
size 1 (Light Blue)	Min. 2.5 kgf	Min. 10 times	Min. 0.5 gf.cm		
size 2 (Green)	Min. 2.5 kgf	Min. 10 times	Min. 0.5 gf.cm		
size 3 (Yellow)	Min. 3 kgf	Min. 10 times	Min. 0.5 gf.cm		
size 4 (Orange)	Min. 3 kgf	Min. 10 times	Min. 0.5 gf.cm		
size 5 (Red)	Min. 3 kgf	Min. 10 times	Min. 0.5 gf.cm		
size 6 (White)	Min. 3 kgf	Min. 10 times	Min. 0.5 gf.cm		
size 7 (Grey)	Min. 3 kgf	Min. 10 times	Min. 0.5 gf.cm		
size 8 (Black)	Min. 3 kgf	Min. 10 times	Min. 0.5 gf.cm		

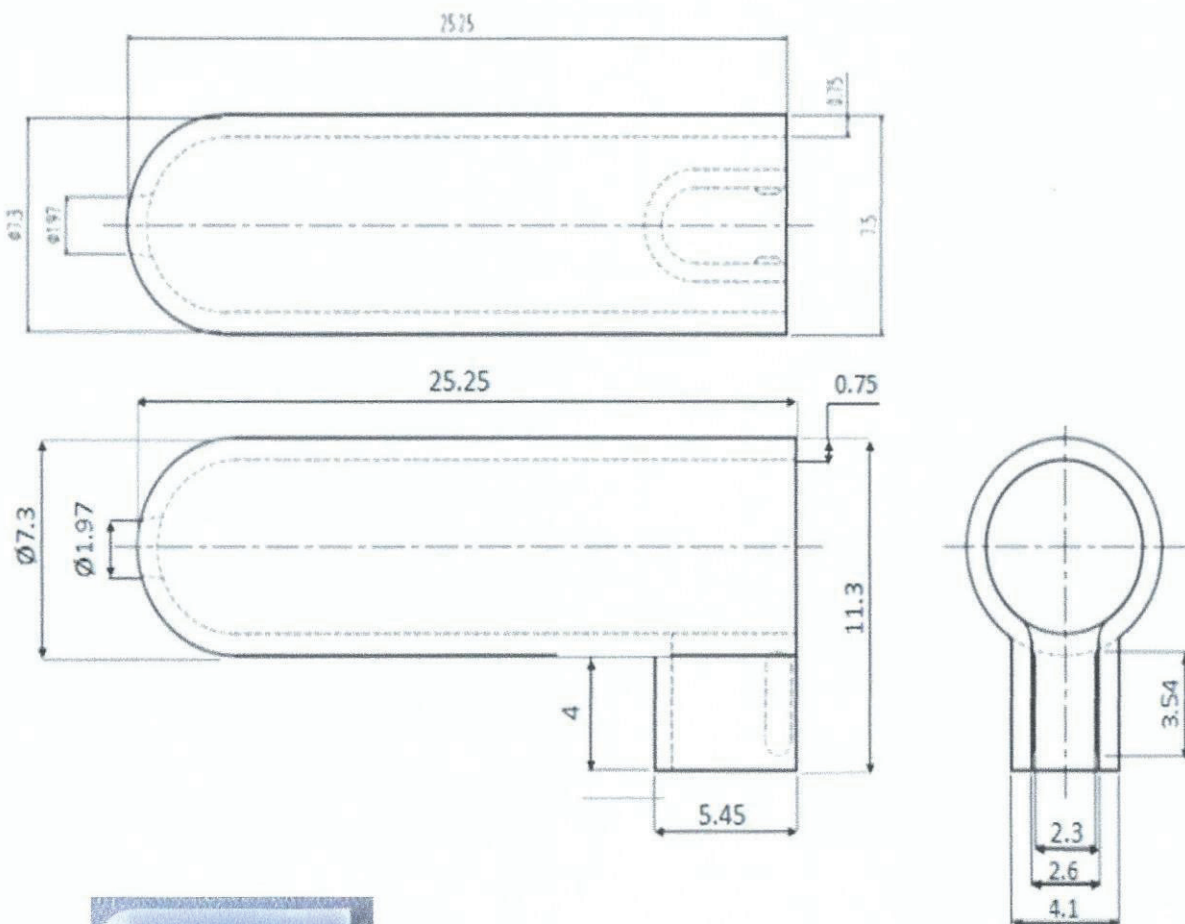
PRODUCT STANDARD

CAP

Specification

- 1) Material : PP Resin
- 2) Dimensions : Length : 25.25 mm
 Wide : 11.30 mm
 OD : 7.50 mm
- 3) Color : Natural
- 4) Printing : **ORALPROX (blue ink)**
- 5) Tolerance : ± 0.5 mm

Drawing



Printing sample

PRODUCT STANDARD

BACKER CARD 6P ALT.1

Specification

1) Material	:	Ivory 250 gr			
2) Dimensions	:	88x175mm			
3) Color	:	5 / 5 +PET adhesive			
4) Barcode	:	Size 0	8034140111021	Size 5	8034140111076
		Size 1	8034140111038	Size 6	8034140111083
		Size 2	8034140111045	Size 7	8034140111090
		Size 3	8034140111052	Size 8	8034140111106
		Size 4	8034140111069		
5) Tolerance	:	± 1.0 mm			

Drawing



Note : Each size of interdental brush having each detail design
Once stock of Alt.1 depleted , we will switch to Alt.2

PRODUCT STANDARD

BACKER CARD 6P ALT.2

Specification

1) Material	:	Ivory 250 gr			
2) Dimensions	:	88x175mm			
3) Color	:	5 / 5 + PET adhesive			
4) Barcode	:	Size 0	8034140111021	Size 5	8034140111076
		Size 1	8034140111038	Size 6	8034140111083
		Size 2	8034140111045	Size 7	8034140111090
		Size 3	8034140111052	Size 8	8034140111106
		Size 4	8034140111069		
5) Tolerance	:	± 1.0 mm			

Drawing



Note : Each size of interdental brush having each detail design
Once stock of Alt.1 depleted , we will switch to Alt.2

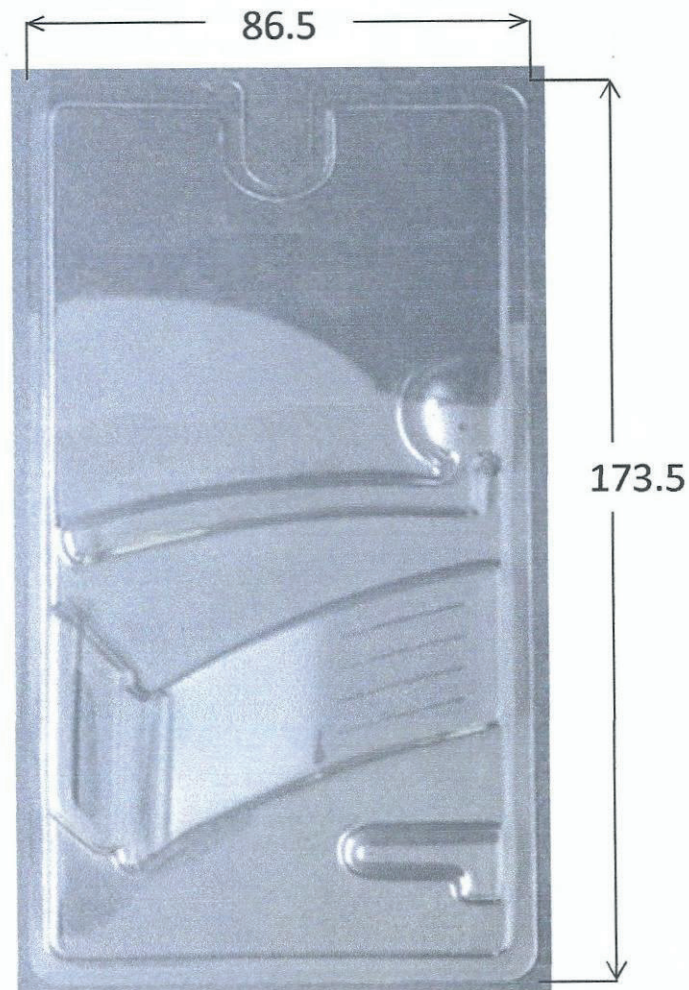
PRODUCT STANDARD

BLISTER

Specification

- | | | |
|---------------|---|-----------------|
| 1) Material | : | PET 0.35mm |
| 2) Dimensions | : | 86.5 x 173.5 mm |
| 3) Color | : | Natural |
| 4) Printing | : | Non |
| 5) Tolerance | : | ± 1.0 mm |

Drawing



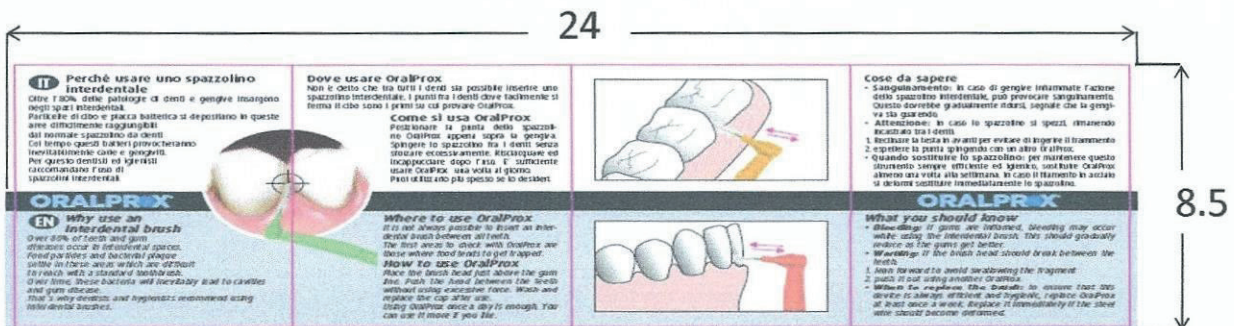
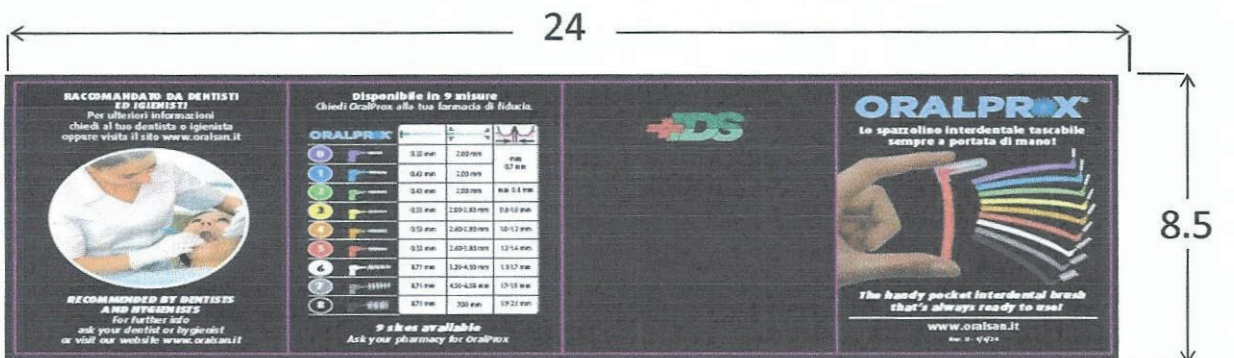
PRODUCT STANDARD

INSERT

Specification

- 1) Material : Art Paper 100 gr
- 2) Dimensions : 24 x 8.5 cm
- 3) Color : 4/4
- 4) Finishing : Pond
- 5) Tolerance : ± 1 mm

Drawing



PRODUCT STANDARD

INNER 6P

Specification

- 1) Material : Duplex 310gr
- 2) Dimensions : 9 x 10.5 x 17.7 cm
- 3) Color : 4/0
- 4) Finishing : Pond + adhesive
- 5) Tolerance : ± 3 mm

Drawing



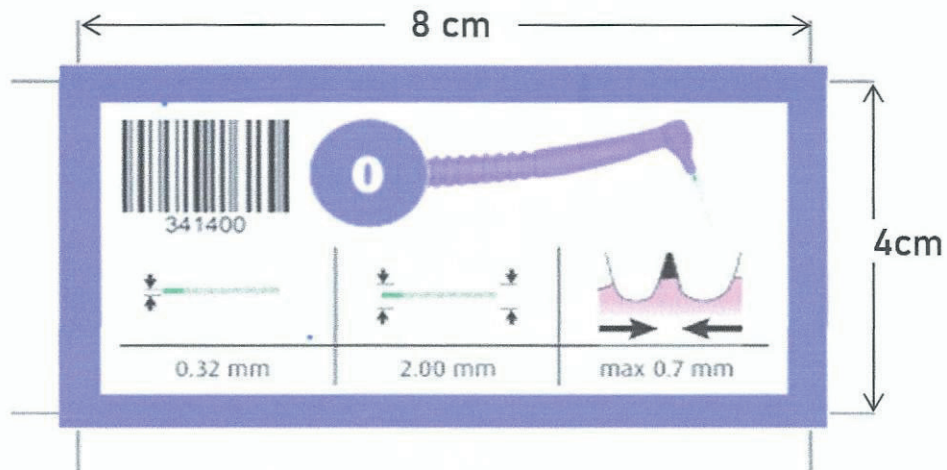
PRODUCT STANDARD

Label 6P

Specification

- 1) Material : Stiker Cromo
- 2) Dimensions : 8 x 4 cm
- 3) Color : 4/0
- 4) Finishing : Pond
- 5) Tolerance : ± 1 mm

Drawing



Types / sizes



PRODUCT STANDARD

OPP 20P

Specification

- | | | |
|---------------|---|-----------------------|
| 1) Material | : | OPP Plastic 30 micron |
| 2) Dimensions | : | 3.3 x 9.3 cm |
| 3) Color | : | Natural |
| 4) Printing | : | Non |
| 5) Tolerance | : | ± 3 mm |

Drawing



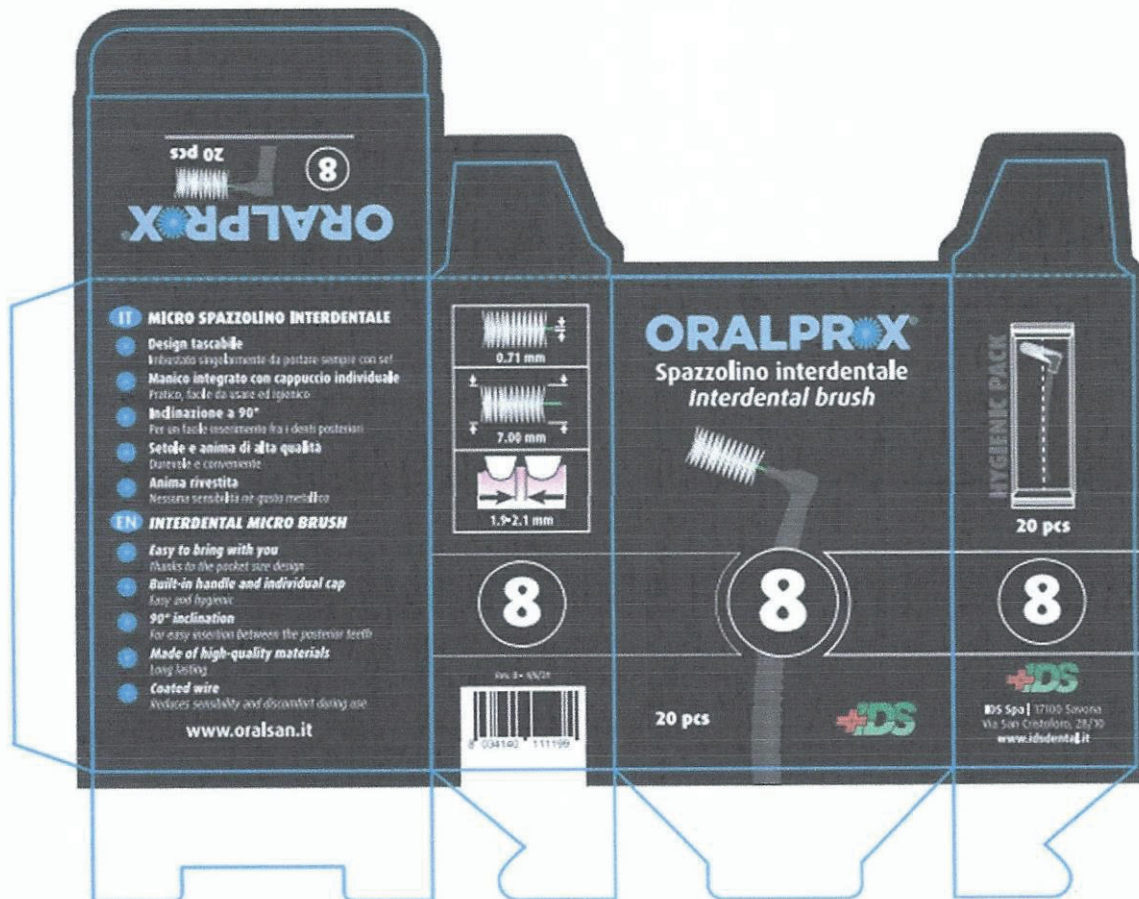
PRODUCT STANDARD

INNER 20P

Specification

- | | | |
|---------------|---|--------------------|
| 1) Material | : | Duplex 310gr |
| 2) Dimensions | : | 6.5 x 3.5 x 9.5 cm |
| 3) Color | : | 4/0 |
| 4) Finishing | : | Pond + adhesive |
| 5) Tolerance | : | ± 3 mm |



Drawing



Note 1 : Each size of interdental brush having each detail design

Note 2 : Manual / precut perforation

PRODUCT STANDARD

PACKING INDIVIDUAL PACK 20p			
Drawing 	Description	Material	Dimmension
	Inner box	duplex 310 gram	6,5 x 3,5 x 9,5 cm
	Outer box	K125/M/K125B/F	40.5 x 20.5 x 19.5 cm
	Master box	K150/M125/K150 CBF	43.5 x 43.0 x 64.5 cm
	1 Inner = 20 pcs + 1 insert 1 Outer = 60 inner = 1200 pcs 1 Master = 6 outer = 7200 pcs		
PACKING 6 PACK			
Drawing 	Description	Material	Dimmension
	Inner box	duplex 310 gram	9 X 10.5 X 17.7 cm
	Outer box	K125/M/K125B/F	33.5 x 19.0 x 18.8cm
	Master box	K150/M125/K150 CBF	41.5 x 35.0 x 60.8 cm
	1 Inner = 12 set + 1 label 1 Outer = 6 Inner = 72 set 1 Master = 6 outer = 432 set		